

Swivel Clamp Connector Joints

Aluminum / Stainless Steel

SPECIFICATION

Identification no.

No. **2**: With 3 stainless steel socket cap screws DIN 912

Aluminum

- Powder coated
Black, RAL 9005, textured finish **SW**
- Plain, matte shot-blasted **BL**

Stainless steel AISI CF-8 **NI**

Matte shot-blasted

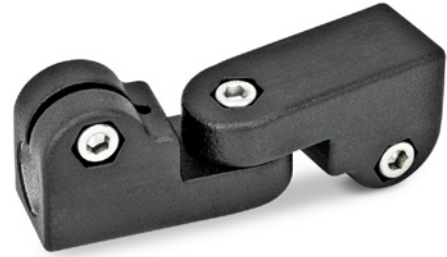
Socket cap screws DIN 912

Stainless steel AISI 304

Hex nuts DIN 985

Stainless steel AISI 304

Self-locking via polyamide ring



INFORMATION

Swivel clamp connector joints GN 285 are an assembly of two swivel clamp connectors GN 275 (see page 1854).

The clamping bores are mechanically machined and designed for construction tubes GN 990 (see page 1902) or DIN 2391, DIN 2395 and DIN 2462.

At the screw locations **z1**, the socket cap screws reduce the bore cross-section for clamping.

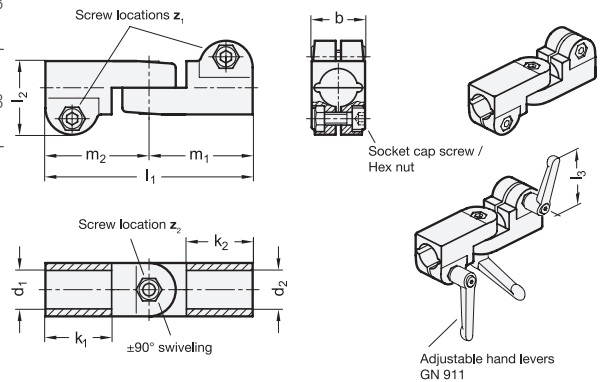
For clamping without tools, the socket cap screws can be replaced by the adjustable hand levers GN 911 (see page 1874) / GN 911.3 (see page 1875) listed in the table as accessory.

ACCESSORY

- Adjustable Hand Levers GN 911 (see page 1874) / GN 911.3 (see page 1875)

TECHNICAL INFORMATION

- Stainless Steel Characteristics (see page A26)



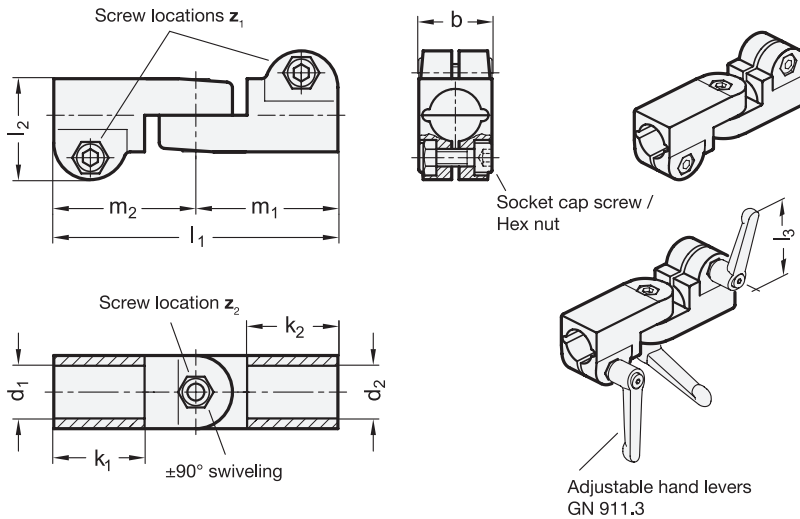
* Complete with

SW BL
RAL9005 Plain

GN 285-AL

Description	d1 Bore	d2 Bore	b	k1	k2	l1	l2	m1	m2	z1 Screw locations	z2 Screw location	Accessory Recom. hand lever GN 911 for z1 l3	Accessory Recom. hand lever GN 911 for z2 l3	⚖️
GN 285-B12-B12-2-*	B 12	B 12	25	31.5	31.5	97	34.5	48.5	48.5	M6-20	M6-20	63 -	45 63	156
GN 285-B12-B14-2-*	B 12	B 14	25	31.5	31.5	97	34.5	48.5	48.5	M6-20	M6-20	63 -	45 63	146
GN 285-B12-B15-2-*	B 12	B 15	25	31.5	31.5	97	34.5	48.5	48.5	M6-20	M6-20	63 -	45 63	132
GN 285-B12-B16-2-*	B 12	B 16	25	31.5	31.5	97	34.5	48.5	48.5	M6-20	M6-20	63 -	45 63	124
GN 285-B12-B18-2-*	B 12	B 18	25	31.5	31.5	97	34.5	48.5	48.5	M6-20	M6-20	63 -	45 63	118
GN 285-B14-B14-2-*	B 14	B 14	25	31.5	31.5	97	34.5	48.5	48.5	M6-20	M6-20	45 63	45 63	148
GN 285-B14-B15-2-*	B 14	B 15	25	31.5	31.5	97	34.5	48.5	48.5	M6-20	M6-20	45 63	45 63	140
GN 285-B14-B16-2-*	B 14	B 16	25	31.5	31.5	97	34.5	48.5	48.5	M6-20	M6-20	45 63	45 63	134
GN 285-B14-B18-2-*	B 14	B 18	25	31.5	31.5	97	34.5	48.5	48.5	M6-20	M6-20	45 63	45 63	128
GN 285-B15-B15-2-*	B 15	B 15	25	31.5	31.5	97	34.5	48.5	48.5	M6-20	M6-20	45 63	45 63	140
GN 285-B15-B16-2-*	B 15	B 16	25	31.5	31.5	97	34.5	48.5	48.5	M6-20	M6-20	45 63	45 63	138
GN 285-B15-B18-2-*	B 15	B 18	25	31.5	31.5	97	34.5	48.5	48.5	M6-20	M6-20	45 63	45 63	134
GN 285-B16-B16-2-*	B 16	B 16	25	31.5	31.5	97	34.5	48.5	48.5	M6-20	M6-20	45 63	45 63	132
GN 285-B16-B18-2-*	B 16	B 18	25	31.5	31.5	97	34.5	48.5	48.5	M6-20	M6-20	45 63	45 63	127
GN 285-B18-B18-2-*	B 18	B 18	25	31.5	31.5	97	34.5	48.5	48.5	M6-20	M6-20	45 63	45 63	125

Weight SW



GN 285-NI

STAINLESS STEEL

Description	d1 Bore	d2 Bore	b	k1	k2	l1	l2	m1	m2	z1 Screw locations	z2 Screw location	Accessory Recom. hand lever		⚖️
												GN 911.3 for z1 l3	GN 911.3 for z2 l3	
GN 285-B12-B12-2-NI	B 12	B 12	25	31.5	31.5	97	34.5	48.5	48.5	M6-20	M6-20	-	45 63	360
GN 285-B12-B14-2-NI	B 12	B 14	25	31.5	31.5	97	34.5	48.5	48.5	M6-20	M6-20	-	45 63	353
GN 285-B12-B15-2-NI	B 12	B 15	25	31.5	31.5	97	34.5	48.5	48.5	M6-20	M6-20	-	45 63	349
GN 285-B12-B16-2-NI	B 12	B 16	25	31.5	31.5	97	34.5	48.5	48.5	M6-20	M6-20	-	45 63	343
GN 285-B12-B18-2-NI	B 12	B 18	25	31.5	31.5	97	34.5	48.5	48.5	M6-20	M6-20	-	45 63	334
GN 285-B12-B20-2-NI	B 12	B 20	25	31.5	31.5	97	34.5	48.5	48.5	M6-20	M6-20	-	45 63	321
GN 285-B14-B14-2-NI	B 14	B 14	25	31.5	31.5	97	34.5	48.5	48.5	M6-20	M6-20	-	45 63	346
GN 285-B14-B15-2-NI	B 14	B 15	25	31.5	31.5	97	34.5	48.5	48.5	M6-20	M6-20	-	45 63	342
GN 285-B14-B16-2-NI	B 14	B 16	25	31.5	31.5	97	34.5	48.5	48.5	M6-20	M6-20	-	45 63	336
GN 285-B14-B18-2-NI	B 14	B 18	25	31.5	31.5	97	34.5	48.5	48.5	M6-20	M6-20	-	45 63	327
GN 285-B14-B20-2-NI	B 14	B 20	25	31.5	31.5	97	34.5	48.5	48.5	M6-20	M6-20	-	45 63	314
GN 285-B15-B15-2-NI	B 15	B 15	25	31.5	31.5	97	34.5	48.5	48.5	M6-20	M6-20	-	45 63	338
GN 285-B15-B16-2-NI	B 15	B 16	25	31.5	31.5	97	34.5	48.5	48.5	M6-20	M6-20	-	45 63	332
GN 285-B15-B18-2-NI	B 15	B 18	25	31.5	31.5	97	34.5	48.5	48.5	M6-20	M6-20	-	45 63	323
GN 285-B15-B20-2-NI	B 15	B 20	25	31.5	31.5	97	34.5	48.5	48.5	M6-20	M6-20	-	45 63	310
GN 285-B16-B16-2-NI	B 16	B 16	25	31.5	31.5	97	34.5	48.5	48.5	M6-20	M6-20	-	45 63	326
GN 285-B16-B18-2-NI	B 16	B 18	25	31.5	31.5	97	34.5	48.5	48.5	M6-20	M6-20	-	45 63	317
GN 285-B16-B20-2-NI	B 16	B 20	25	31.5	31.5	97	34.5	48.5	48.5	M6-20	M6-20	-	45 63	304
GN 285-B18-B18-2-NI	B 18	B 18	25	31.5	31.5	97	34.5	48.5	48.5	M6-20	M6-20	63 -	45 63	308
GN 285-B18-B20-2-NI	B 18	B 20	25	31.5	31.5	97	34.5	48.5	48.5	M6-20	M6-20	63 -	45 63	295
GN 285-B20-B20-2-NI	B 20	B 20	25	31.5	31.5	97	34.5	48.5	48.5	M6-20	M6-20	45 63	45 63	282

